

175

6 VALVE

2IF STAGES

3 IFS

ASTOR

**OPERATING
INSTRUCTIONS**

**A
PRODUCT
OF**

RADIO CORPORATION

11-21 STURT STREET, SOUTH MELBOURNE

ASTOR

Warranty

Each new Astor Receiver is warranted by the Manufacturer to be free from defects in material and workmanship under normal use and service; the obligation under this warranty being limited to making good at the Astor factory any part or parts thereof which shall, within 12 months after delivery of such receiver to the original purchaser (but not more than 15 months from the abovementioned date of despatch from the Astor factory), be returned to the factory through the undermentioned Dealer and our Distributor with transportation charges prepaid by the original purchaser both to and from the factory, and which examination shall disclose to the manufacturer's satisfaction to have been thus defective, this warranty being expressed in lieu of all other warranties expressed or implied and of all other obligations or liabilities on the manufacturer's part, and the manufacturer neither assumes nor authorises any representative or other person to assume for him any other obligation in connection with the sale of his receivers.

This Warranty shall not apply to any receiver which shall have been repaired or altered outside of the Astor factory by any other than the authorised Dealer or Distributors in any way so as, in the manufacturer's judgment, to affect its stability or reliability nor which has been subject to misuse, negligence, or accident, nor which has had the serial number altered, defaced, or removed. Neither shall this Warranty apply to any receiver which has been connected otherwise than in accordance with the instructions furnished by the manufacturer.

No Warranty whatever is made in respect to cabinets, valves, batteries, vibrators or other accessories not manufactured by the manufacturer inasmuch as they are usually warranted by their respective manufacturers.

Model No. Serial No.
Despatched from factory on

..... of (Town)
(Name of Purchaser) (Street Address)

has this day purchased from the undersigned the following Radio Receiver :
..... (Dealer's Address)
(Authorised Dealer)

..... (Customer's Address)
(Customer's Name)

**O P E R A T I N G
I N S T R U C T I O N S**
FOR THE
A S T O R
M O D E L
904

You have purchased your "Astor" Radio because you admire its fine appearance, because you like its thrilling performance, and because you realise that from every point of view it represents the greatest value for your money.

Because "Astor" Radio receivers are sold all over Australia and in many places overseas, a complete parts list and circuit diagram with views of the top and bottom of the receiver is included in this booklet.

This not only shows you just what you have bought, but supplies complete information for a serviceman in such rare cases where service is necessary.

A "Astor" Radio is never rendered useless by the discontinued production of that particular model, because "Astor" policy ensures that a complete range of spare parts is stocked for every radio that leaves the factory.

When ordering a replacement, give the number and code letters of the receiver (stamped on the back of the chassis) or a description of the set itself, together with part number and name of part required.

ASTOR Model 904 (Type AS)

No.	Part Name.	Rating	Tol.	Spec.	Part No.
1.	.25 mfd Paper Con- denser	400v.	20%	—	PC128
2.	.05 mfd Paper Con- denser	200v.	20%	—	PC102
3.	.05 mfd Paper Con- denser	200v.	20%	—	PC102
4.	.05 mfd Paper Con- denser	400v.	20%	—	PC109
5.	.01 mfd Paper Con- denser	400v.	20%	—	PC225
6.	.002 mfd Paper Con- denser	400v.	20%	—	PC183
7.	.1 mfd Paper Con- denser	200v.	20%	—	PC218
8.	.5 mfd Paper Con- denser	400v.	20%	—	PC115
9.	.1 mfd Paper Con- denser	400v.	20%	—	PC103
10.	.00005 mfd Mica Con- denser	1000v.	10%	—	PC141
11.	.00005 mfd Mica Con- denser	1000v.	10%	—	PC141
12.	.0001 mfd Mica Con- denser	1000v.	5%	—	PC227
13.	.0001 mfd Mica Con- denser	1000v.	5%	—	PC227
14.	.0001 mfd Mica Con- denser	1000v.	5%	—	PC227
15.	.0001 mfd Mica Con- denser	1000v.	5%	—	PC227
16.	.0001 mfd Mica Con- denser	1000v.	5%	—	PC227
17.	.0001 mfd Mica Con- denser	1000v.	5%	—	PC227
18.	.0005 mfd Mica Con- denser	1000v.	10%	—	PC144
19.	.0005 mfd Mica Con- denser	1000v.	10%	—	PC144
20.	.005 mfd Mica Con- denser	1000v.	10%	—	PC249
21.	10 mfd Dry Electro- lytic Condenser . .	25v.	20%	743	PC125
22.	15 mmfd Wire Wound Condenser	—	5%	759	PC196

No.	Part Name.	Rating	Tol.	Spec.	Part No.
95.	IF Coupling Shield ..	—	—	—	—
96.	Dial Cord Pulley . . .	—	—	—	—
97.	Dial Mounting Bracket	—	—	—	—
98.	Dial Pointer Track ..	—	—	—	—
99.	Dial Pointer	—	—	—	—
100.	Pilot Light Reflectors	—	—	—	—
101.	Condenser Drive Drum	—	—	—	—
102.	Dial Reading	—	—	—	—
103.	Dial Pan	—	—	—	—
104.	Rubber Insulating Socket	—	—	—	—
105.	Chassis Mounting Cushion	—	—	—	—

FOR THE SERVICE MAN.

The IF frequency is 455 Kc.

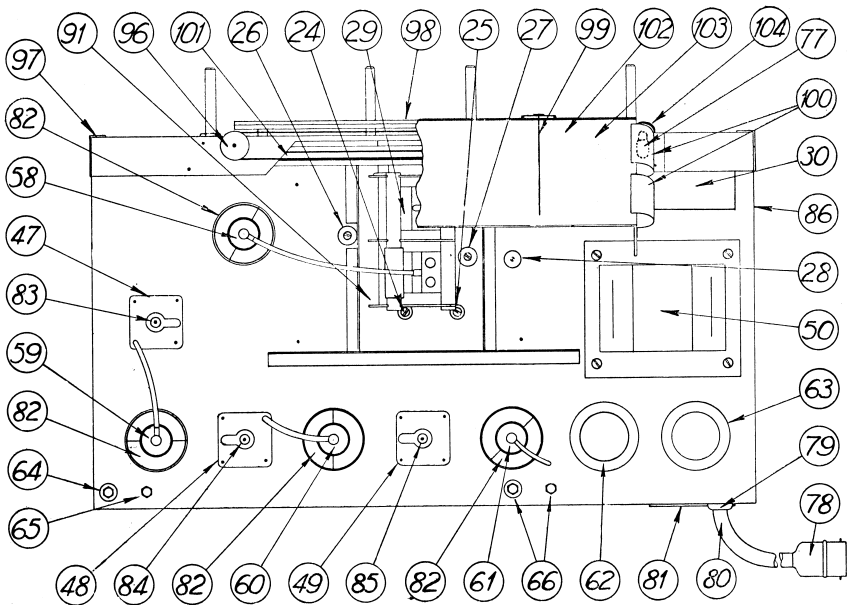
Broadcast Coverage is from 1620 Kc. to 535 Kc.

Short Wave Coverage is from 18.5 mc. to 6.1 mc.

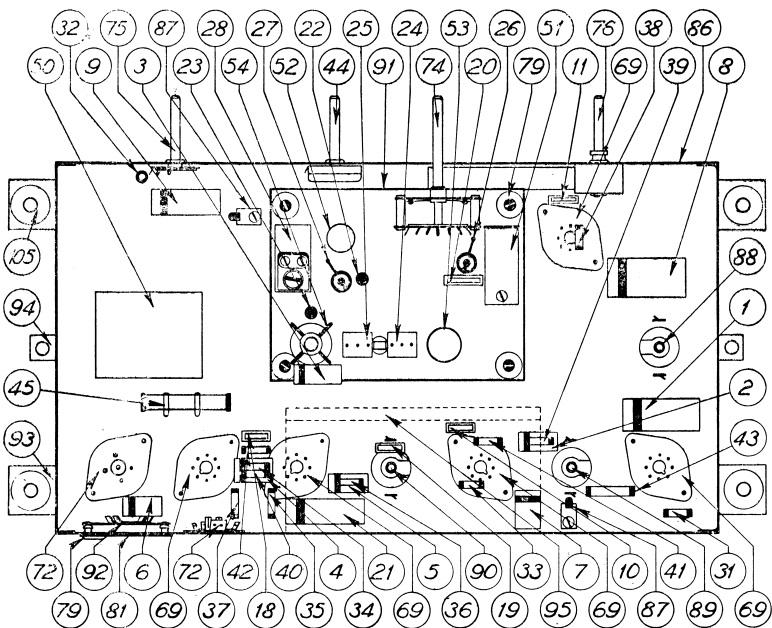
Alignment Procedure.

Set the dial pointer at the end of the dial reading near 550 Kc.

Oper.	Freq.	Generator Connection.	Dummy Capacity.	Instructions.	Adjust Padder
1.	455 Kc.	To grid of 638G	.01 mica cond. in series with generator	Gang plates full out. Leave grid cap on.	83, 84, 85, 88, 89, 90
2.	1400 Kc.	To antenna terminal	200 uuf dummy	Set dial pointer on 1400 Kc.	27, 25
3.	600 Kc.	To antenna terminal Turn Switch to S/W Band.	200 uuf dummy	Rock gang to and fro while adjusting for max. output	28
4.	18.5 m/c.	To antenna terminal	400 ohm dummy	Set pointer at 16.2 m.	26
5.	15 m/c.	To antenna terminal	400 ohm dummy	Set pointer at 20 m.	24



TOP VIEW OF CHASSIS



BOTTOM VIEW OF CHASSIS.

LIST OF CALL SIGNS AND WAVE LENGTHS OF RADIO STATIONS

Frequency K.C.'s	Wave Length (M.)	STATION.	Frequency K.C.'s	Wave Length (M.)	STATION.
550	545	2CR CENTRAL REGIONAL, N.S.W.	940	319	4QR BRISBANE, QLD.
560	536	6WA SOUTH WEST REGIONAL, W.A.	550	316	2UE SYDNEY, N.S.W.
570	526	4VL CHARLEVILLE, QLD.	960	313	5DN ADELAIDE, S.A.
580	517	3WV WESTERN REGIONAL, VIC.	970	309	3BO BENDIGO, VIC.
600	500	7ZL HOBART, TAS.	980	306	2KM KEMPEY, N.S.W.
610	492	2FC SYDNEY, N.S.W.			6AM NORTHAM, W.A.
610	484	3AR MELBOURNE, VIC.	990	303	2GZ ORANGE, N.S.W.
630	476	4QN NORTH REGIONAL, QLD.	1000	300	4GR TOOWOOMBA, QLD.
640	469	5CK NORTH REGIONAL, S.A.			4CA CAIRNS, QLD.
660	455	2DU DUBBO, N.S.W.			7EX LAUNCESTON, TAS.
		7BU BURNIE, TAS.	1010	297	3HA HAMILTON, VIC.
670	448	2CO RIVERINA REGIONAL, N.S.W.	1020	294	2KY SYDNEY, N.S.W.
680	441	7QT QUEENSTOWN, TAS.	1030	291	3DB MELBOURNE, VIC.
		2HR SINGLETON, N.S.W.	1040	288	5PI CRYSTAL BROOK, S.A.
		4AT ATHERTON, QLD.	1050	286	2CA CANBERRA, F.C.T.
690	435	6WF PERTH, W.A.	1060	283	4SB KINGAROO, QLD.
700	429	2NR NORTHERN RIVERS REGIONAL, N.S.W.	1070	280	2RG GRIFFITH, N.S.W.
		7NT NORTH REGIONAL, TAS.	1080	278	6WB KATANNING, W.A.
720	417	6GF GOLDFIELDS, REGIONAL, W.A.			4RO ROCKHAMPTON, QLD.
730	411	5CL ADELAIDE, S.A.			7HT HOBART, TAS.
740	405	2BL SYDNEY, N.S.W.	1090	275	2LT LITHGOW, N.S.W.
760	395	4QS DARLING DOWNS REGIONAL, QLD.	1100	273	3LK LUBECK, VIC.
		3LO MELBOURNE, VIC.	1110	270	4LG LONGREACH, QLD.
770	390	2KA KATOOMBA, N.S.W.	1120	268	7LA LAUNCESTON, TAS.
780	385	4TO TOWNSVILLE, QLD.	1130	265	2UW SYDNEY, N.S.W.
		6WM PERTH, W.A.			4BC BRISBANE, QLD.
790	380	4QG BRISBANE, QLD.	1140	263	2AD ARMIDALE, N.S.W.
800	375	5RM RENMARK, S.A.	1150	261	6ML PERTH, W.A.
810	370	3GI GIPPSLAND REGIONAL, VIC.	1160	259	2HD NEWCASTLE, N.S.W.
830	361	2CY CANBERRA, F.C.T.	1170	256	2WG WAGGA, N.S.W.
850	355	2BH BROKEN HILL, N.S.W.	1180	254	7ZR HOBART, TAS.
860	349	4AY Ayr, QLD.	1190	252	2NZ INVERELL, N.S.W.
		7HO HOBART, TAS.	1200	250	3KZ MELBOURNE, VIC.
870	345	2GB SYDNEY, N.S.W.	1210	248	2CH SYDNEY, N.S.W.
880	341	2XL COOMA, N.S.W.			5KA ADELAIDE, S.A.
		4WK WARWICK, QLD.			2GF GRAFTON, N.S.W.
		6PR PERTH, W.A.	1220	246	3YB WARRNAMBOOL, VIC.
890	337	5AN ADELAIDE, S.A.	1230	244	6KG KALGOORLIE, W.A.
900	333	2LM LISMORE, N.S.W.			4AK OAKEY, QLD.
		3UL WARRAGUL, VIC.	1240	242	2NC HUNTER RIVER REGIONAL, N.S.W.
910	330	4RK ROCKHAMPTON REGIONAL, QLD.	1260	238	3TR SALE, VIC.
		3UZ MELBOURNE, VIC.			6IX PERTH, W.A.
					3SR SHEPPARTON, VIC.

Continued Overleaf

2nd Class Mail
Matter Only

POST CARD

Place
Stamp
Here

ASTOR RADIO
BOX 845 J
MELBOURNE, C.I.

LIST OF CALL SIGNS AND WAVE LENGTHS OF RADIO STATIONS (Continued)

Fre- quency K. C.'s	Wave Length (M.)	STATION	Fre- quency K. C.'s	Wave Length (M.)	STATION
1270	236	2SM SYDNEY, N.S.W.	1400	214	2PK PARKES, N.S.W.
1280	234	3AW MELBOURNE, VIC.			4MB MARYBOROUGH, QLD.
1290	233	4BK BRISBANE, QLD.			5AU PORT AUGUSTA, S.A.
1300	231	2TM TAMWORTH, N.S.W.			7DY DERBY, TAS.
1310	229	5AD ADELAIDE, S.A.	1410	213	2KO NEWCASTLE, N.S.W.
1320	227	3BA BALLARAT, VIC.	1420	211	3XY MELBOURNE, VIC.
1330	226	3SH SWAN HILL, VIC.	1430	210	2WL WOLLONGONG, N.S.W.
		4BU BUNDEBERG, QLD.	1440	208	2QN DENILIQUIN, N.S.W.
1340	224	2LF YOUNG, N.S.W.			4IP IPSWICH, QLD.
		6NA NARROGIN, W.A.	1450	207	5MU MURRAY BRIDGE, S.A.
1350	222	3GL GEELONG, VIC.			2MG MUDGEE, N.S.W.
		4GY GYMPIE, QLD.	1460	205	7UV ULVERSTONE, TAS.
1360	221	3MA MILDURA, VIC.			2CK CESSNOCK, N.S.W.
		4PM PORT MORESBY, VIC.	1470	204	2MW MURWILLUMBAH, N.S.W.
1370	219	2MO GUNNEDAH, N.S.W.			3CV CHARLTON, VIC.
		5SE MOUNT GAMBIER, S.A.	1480	203	2AY ALBURY, N.S.W.
		6GE GERALDTON, W.A.	1490	201	2BE BEGA, N.S.W.
1380	217	4BH BRISBANE, QLD.			4ZR ROMA, QLD.
1390	216	2GN GOULBURN, N.S.W.	1500	200	2BS BATHURST, N.S.W.
		4MK MACKAY, QLD.			3AK MELBOURNE, VIC.
		6PM FREEMANTLE, W.A.			

SUGGESTIONS

*For the efficient Operation of your
ASTOR RADIO*

If Reception from your **ASTOR RECEIVER** fails, or proves unsatisfactory—

1. See that your earth wire is connected to proper terminal.
2. See that your aerial wire is connected to proper terminal.
3. See that set-plug is connected and set is switched on.

ABUSE.—Attempted adjustment or tampering by inexperienced persons. Hard knocks, bumps, or falls.

If fault cannot be removed by attention to above, communicate with an authorised dealer.

IMPORTANT

Return this card to the
ASTOR RADIO CO.,
Box No. 845J, Melbourne

SERIAL No.:

Set Type:

NAME.....

STREET AND No.....

CITY AND STATE.....

Purchased from.....

Town..... Date of Purchase.....

To make binding upon the manufacturers the guarantee on this piece of radio apparatus, it is necessary that the customer fill in the name and address, and mail this card to us within 10 days of purchase. Unless this card is filled in so that we can have a record, we cannot regard our guarantee as being binding, for our guarantee is made to the original purchaser of this apparatus through the dealer from whom it was purchased, and, if returned to us through the dealer at any future time, we must have a record of the name of the purchaser in our files.

We are interested in the satisfactory operation of this equipment and will appreciate having your comments on the reverse side of this card. Particularly we would like to hear of any exceptional performance or any interesting event in connection with its use.

Valuable information regarding the development of our equipment will be sent to you at the above address from time to time to keep you informed regarding improvements in our sets and accessories.